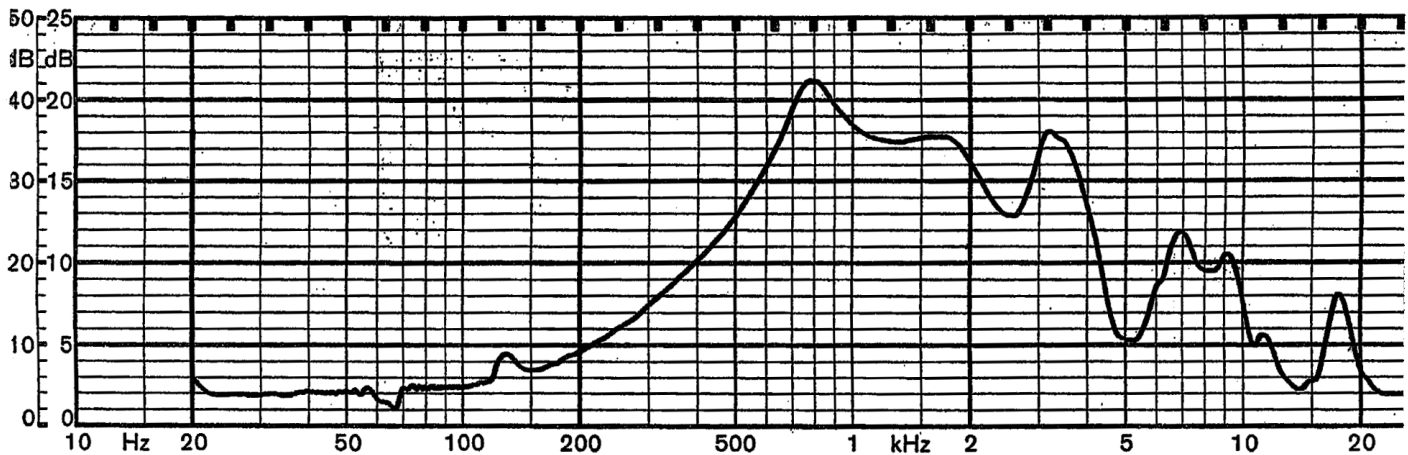


Specifications

| | | | |
|----------------------|--|-------------------|-------------------------|
| Nominal Size | 20mm | | |
| Impedance | 8 Ohm \pm 15% | at | 1 KHz 1 V |
| Resonant frequency | 800 Hz \pm 160 Hz | at | 1 V |
| Sound pressure level | 116dB/w \pm 3 dB | .1 w 1 cm ave. at | 0.8K, 1K, 1.2K, 1.5K Hz |
| Response | Fo Hz ~ 5 KHz max 10 dB | | |
| Input power | Nominal 0.1 W | Handling capacity | 0.2 W |
| Operation | must be normal at program source 0.1 W | | |
| Buzz, rattle, etc. | must be normal at sine wave 0.89 V | | |
| Magnet | Size: 6.5 x 1.5 mm | | |
| Load test | White noise 0.1 W | for | 5 hours |
| Heat test | 65 \pm 2° C | 20-50% R.H. | 5 hours |
| Humidity test | 40 \pm 2° C | 90-95% R.H. | 5 hours |

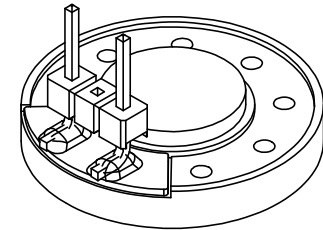
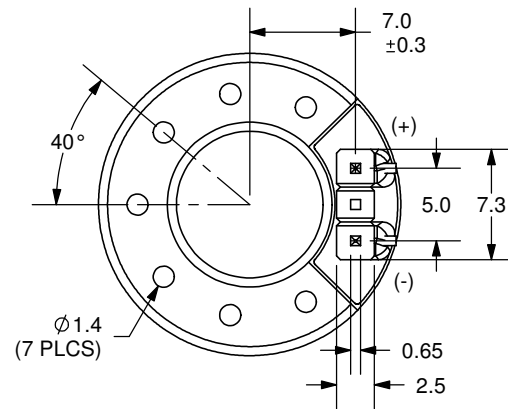
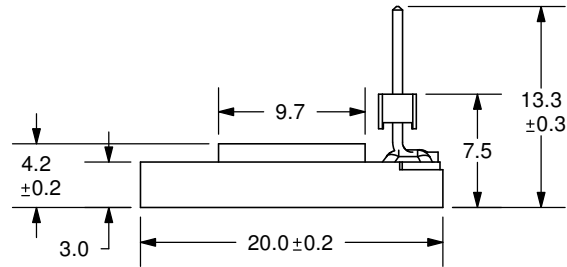
Frequency Response Curve

| | |
|-----------------------|------------|
| Potentiometer range | 50 dB |
| Rectifier | RMS |
| Lower limit frequency | 20 Hz |
| Wr. speed | 100 mm/sec |



Zero level 80 dB

| REV. | DESCRIPTION | DATE |
|------|-------------|----------|
| A | NEW DRAWING | 7/3/2007 |



TOLERANCE:
±0.5mm UNLESS OTHERWISE
SPECIFIED



20050 SW 112th Ave.
Tualatin, OR 97062
Phone: 503-612-2300
800-275-4899
Fax: 503-612-2383
Website: www.cui.com

| | | |
|----------------------------|--------------------|------------|
| TITLE: LOW PROFILE SPEAKER | | REV: A |
| PART NO. CLS0201MP | UNITS: MM [INCHES] | |
| DRAWN BY: ZRJ | APPROVED BY: | SCALE: 2:1 |

PC FILE NAME:
CLS0201MP

COPYRIGHT 2007 BY CUI INC.